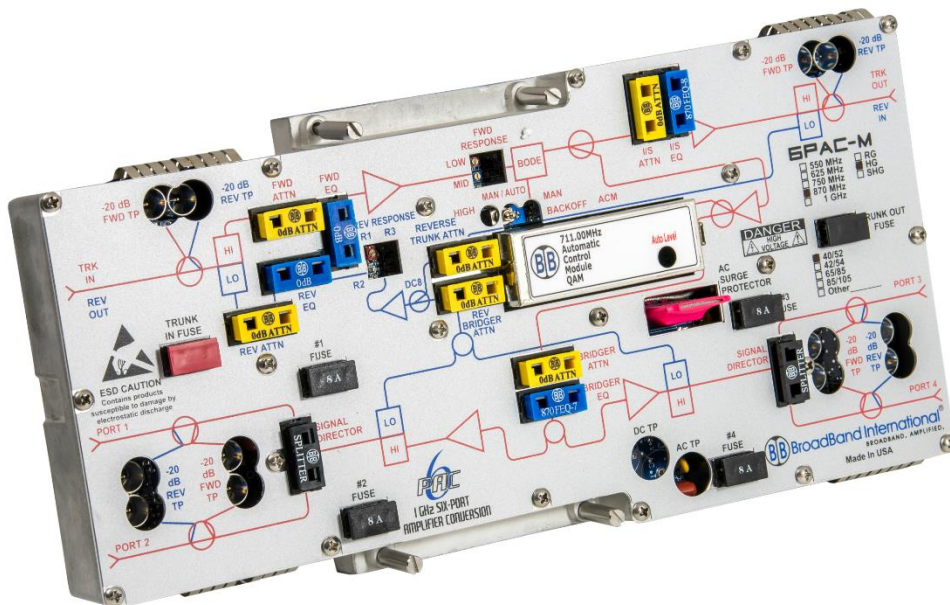


1 GHz Trunk/Bridger Amplifiers 6PAC-M – Super High Gain (SHG)

Replaces/Upgrades Phillips®/Magnavox®
Amplifiers 450/550/625/750/870 MHz Systems



The 6PAC-M enhanced amplifier module from Broadband International® is designed to drop into any 7 or 9 Series Phillips/Magnavox® 450 or 550 MHz Trunk/Bridger station housing. The forward bandwidth is up to 1 GHz and may be optimized for any bandwidth from 550 to 1 GHz. This is accomplished by alignment of the interstage plug-in bode network and by the type of cable equalizers deployed. All 6PAC modules have a very linear trunk response and very low distortions. Performance may be customized by the choice of hybrids.

Numerous analog and QAM automatic control modules (plug-in) are available to meet your current and future system requirements.

Features:

- Specified bandwidth performance from 550 MHz up to 1 GHz
- Utilizes FastPac™ style plug-in equalizers and pads
- Multiple options for return path bandwidth with removable duplex filters
- Plug-in hybrid technology
- Excellent distortion and noise performance



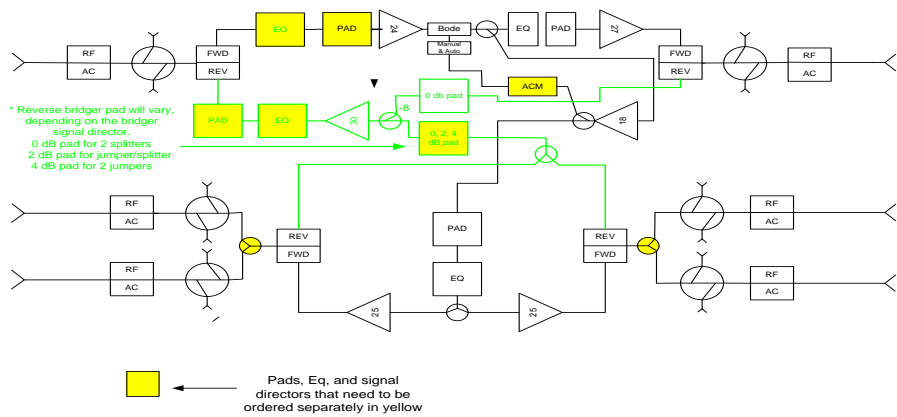
6PAC-M – FAST-PAC™ Amplifier Conversion Performance to 1 GHz		
Analog Channels	79 + DIG	Return
6-PAC-M (SHG) Network Amplifier		
Frequency Response (dB)	+/- 0.75	+/- 0.5
Return Loss (-dB) 5-870 MHz	16	16
Return Loss (-dB) 870-1 GHz	14	16
Noise Figure (-dB)	8	12
Full Gain (dB) - Trunk	40	19
Operating Gain (dB) - Trunk	37	19
AC Hum Mod @ 10A (-dB)[15A max]	-65	N/A
Trunk Output Level (1 GHz/55 MHz)	48/34	35-40
Trunk Output Slope (typical)	14	N/A
Output Hybrid Technology	GaN PD	Si PP
Composite Triple Beat – Trunk	75	90
Cross-Modulation - Trunk	71	82
Composite Second Order - Trunk	80	80
Bridger Gain – with jumpers	43	19
Bridger Output Level (1 GHz/55 MHz)	55/41	35-40
Composite Triple Beat – Bridger	69	90
Cross-Modulation – Bridger	63	82
Composite Second Order – Bridger	75	80

Powering	I DC	AC Volts	Voltage/Current with BBI Internal Power Supply											
			90	85	80	75	70	65	60	55	50	45	40	37
Manual	2.15	AC current draw	0.85	0.89	0.93	0.99	1.06	1.24	1.31	1.45	1.63	1.72	1.95	2.26
AGC	2.2	AC current draw	0.89	0.93	0.97	1.03	1.1	1.28	1.36	1.5	1.68	1.78	2.01	2.32

6PAC-M Diagram and Ordering Information

The following Required Accessories highlighted in yellow must be ordered separately (all other pads and equalizers are provided)

BROADBAND INTERNATIONAL REV 6 PAC



The Broadband International® 6PAC-M amplifier can be configured in many different frequencies and options. Please consult your account representative for assistance with specific plug-in options.